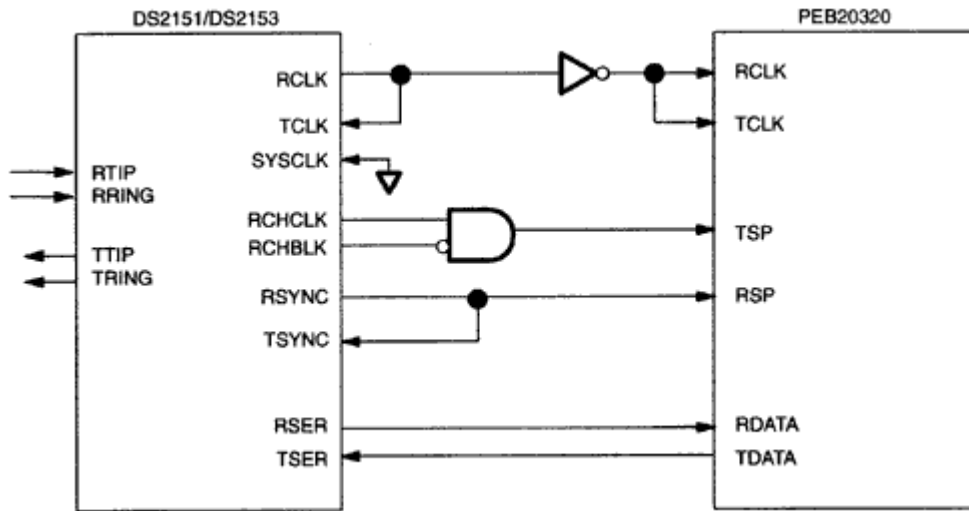


App Note 312: DS2151, DS2153 Interfacing to the PEB20320



Notes:

1. Both the DS2151 and the DS2153 are set up with both the receive and transmit elastic stores disabled.
2. Shown is a "looped-timed" application.
3. The RSYNC pin is programmed to be an output; the TSYNC pin is programmed to be an input.
4. RCHBLK is programmed to be set high except in the last channel of each frame.
5. Timing between the devices is shown below:

